

TWO LAMP STAGGERED STRIP

CATALOG NO.	LAMPS	BALLAST	POWER FACTOR	LENGTH	WIDTH	DEPTH	PCS/CTN	UNIT WT.
8224 TS	2-20W	Trigger	Low	27	5	3-5/8	2	7
8236 RS	2-30W	Rapid	High	40	5	3-5/8	2	10
8248 RS	2-34W	Rapid	High	52	5	3-5/8	2	13
8236-2 RS	4-30W	Rapid	High	77	5	3-5/8	2	20
8248-2 RS	4-34W	Rapid	High	101	5	3-5/8	2	26

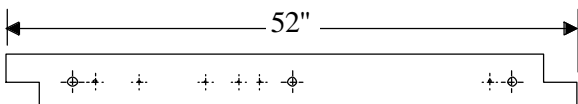
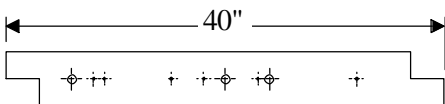
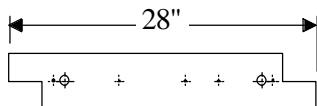
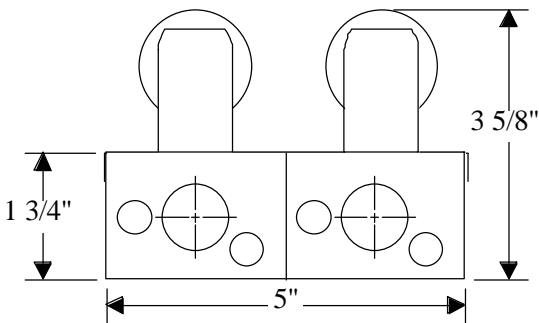
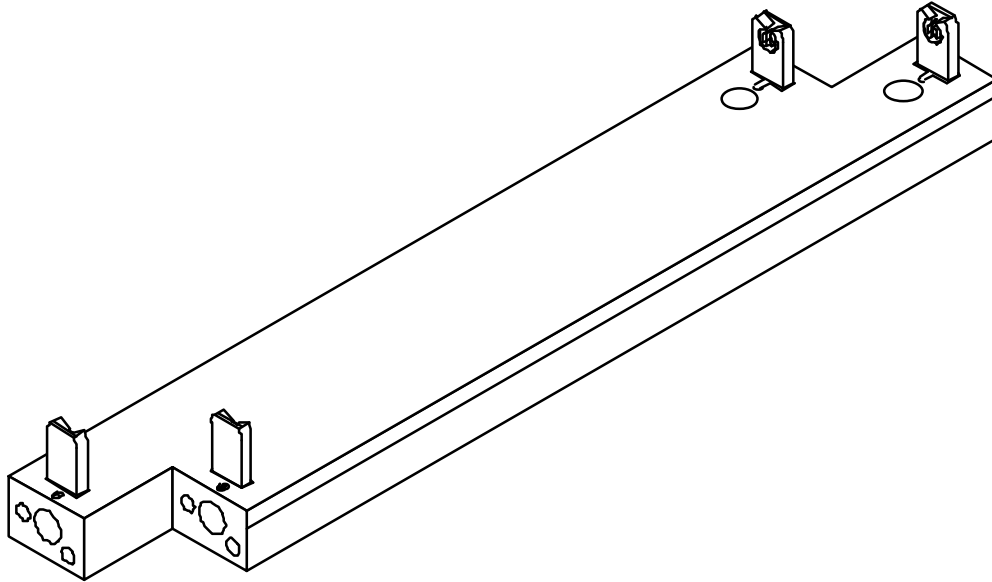
- ⊘ Housing and ends are die-formed steel, finished with baked white polyester powder coating.
- ⊘ Designed for cove or valance lighting to avoid dark areas between fixtures.
- ⊘ 3" offset provides an even unbroken band of illumination.
- ⊘ Trigger start and rapid start lamps.
- ⊘ Unit or row installation.



H Lighting Company, Inc. • St. Louis, Missouri • 314/773-1176 • FAX 314/773-7730

All H & H Lighting Fixtures are completely wired for 118 volts 60 cycle A.C. operation. Ready for installation. All fixtures bear the I.B.E.W., A. F. of L. and Underwriters Laboratories, Inc. labels.

8200 SERIES



MOUNTING - Complete with knockouts for surface mounting or pendant mounting, individually or in continuous rows. Pendant mounting accessories available on specification. Conduit knockouts are supplied on ends and back.

ELECTRICAL - Furnished standard with UL listed ballasts, for 120 Volt 60 Hz A.C. operation. Other voltages and accessories available. Fixtures bear the I.B.E.W., A.F. of L., and Underwriters' Laboratories, Inc. labels.

APPLICATION - An ideal low silhouette unit for all limited depth mounting areas with cornices and valances, drop ceilings, wall cases, displays, and many under-cabinet locations.

CONSTRUCTION - Wireway and ends die-formed of code gauge steel, finished in automatic bonderizing, rust preventative process, with high reflectivity powder coated baked white enamel. Reflector is removable for easy access to electrical components.